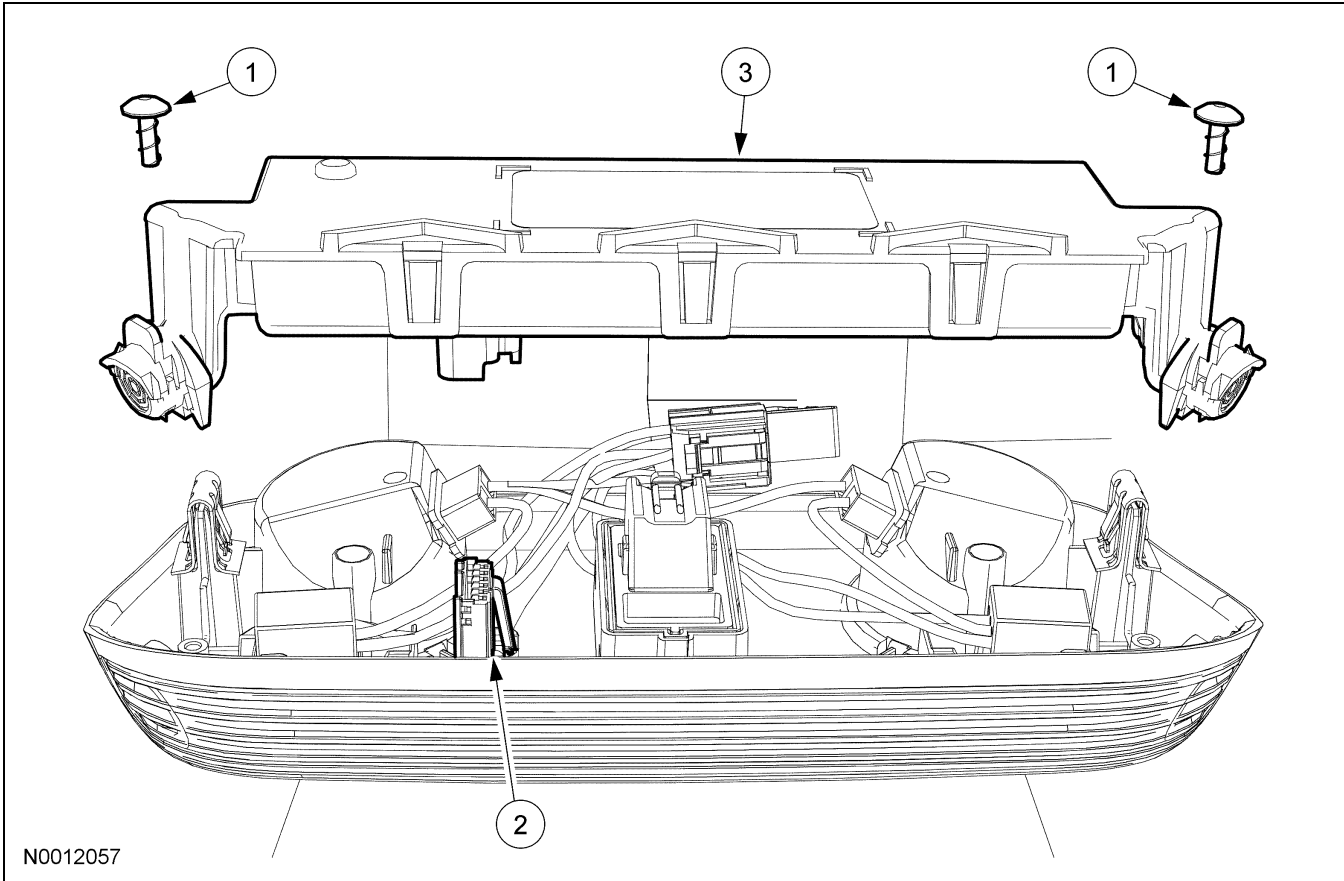


## REMOVAL AND INSTALLATION

### Intrusion and Inclination Sensor



Item	Part Number	Description
1	—	Intrusion and inclination sensor screws (2 required)
2	—	Overhead console jumper harness electrical connector (part of 10503)
3	5K609	Intrusion and inclination sensor

3. Disconnect the overhead console jumper harness electrical connector.
4. Remove the intrusion and inclination sensor.
5. Remove the foam gaskets from the old intrusion and inclination sensor and install them on the new sensor.
6. To install, reverse the removal procedure.

#### Removal and Installation

1. Remove the overhead console.
2. Remove the 2 screws and position the intrusion and inclination sensor aside.