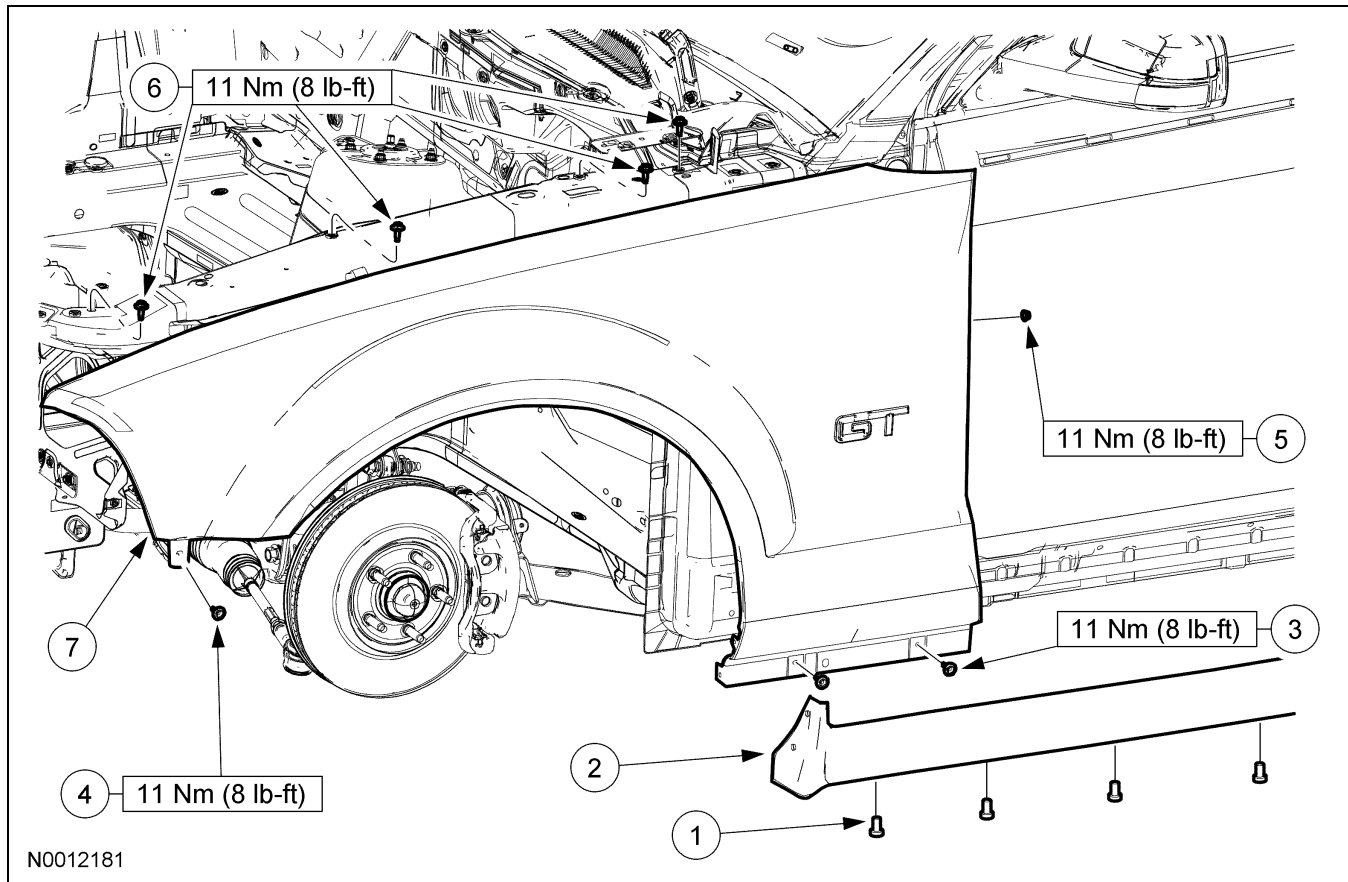


REMOVAL AND INSTALLATION

Fender



Item	Part Number	Description
1	39001B	Rocker panel pin-type retainers (4 required)
2	6310155	Rocker panel
3	W505421	Fender bolts (lower) (2 required)
4	W505421	Fender bolt
5	W505421	Fender support nut
6	W505421	Fender bolts (top) (4 required)
7	16015	Fender

2. Remove the fender splash shield. For additional information, refer to Fender Splash Shield in this section.
3. Remove the 4 front rocker panel pin-type retainers and position the rocker panel aside.
4. Remove the 2 lower fender bolts.
 - To install, tighten to 11 Nm (8 lb-ft).
5. Remove the fender bolt.
 - To install, tighten to 11 Nm (8 lb-ft).

Removal and Installation

1. Remove the front bumper cover. For additional information, refer to Section 501-19.

REMOVAL AND INSTALLATION (Continued)

6. Remove the fender support nut through the door opening.
 - To install, tighten to 11 Nm (8 lb-ft).
7. Remove the 4 top fender bolts and the fender.
 - To install, tighten to 11 Nm (8 lb-ft).
8. To install, reverse the removal procedure.

