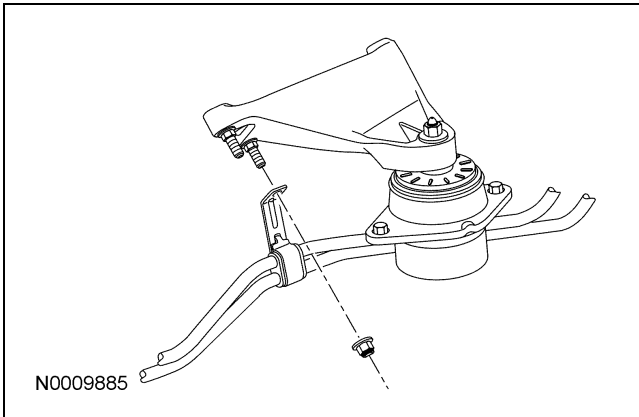


REMOVAL AND INSTALLATION

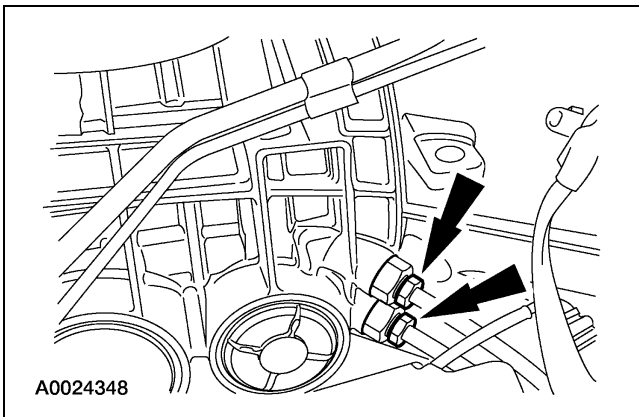
Transmission Fluid Cooler Tubes

Removal

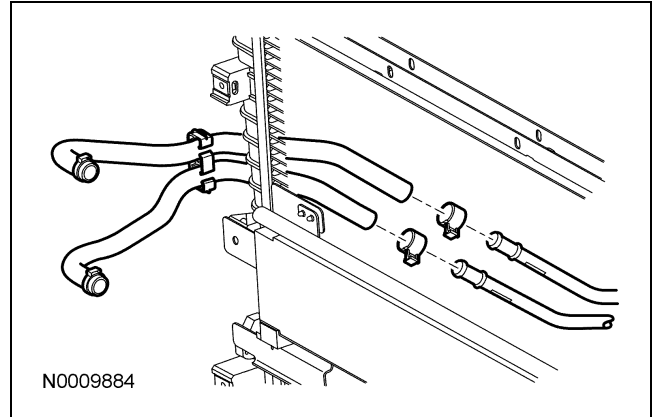
1. With the vehicle in NEUTRAL, position it on a hoist. For additional information, refer to Section 100-02.
2. Remove the fluid cooler tube bracket at the engine.



3. **NOTE:** Use a backup wrench to hold the case fitting secure.
Remove the fluid cooler tubes at the transmission.

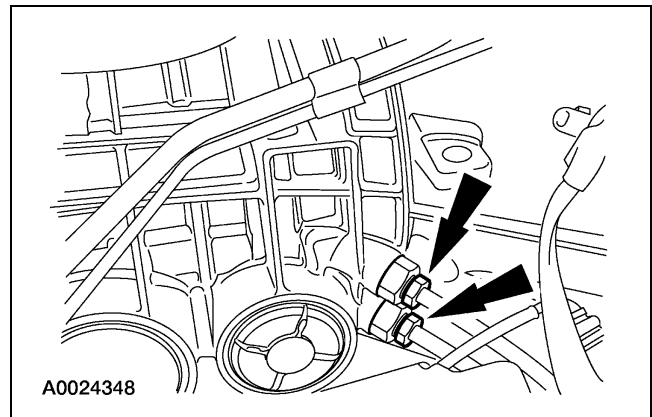


4. Remove the clamps from the fluid cooler line hose at the fluid cooler line tubes and remove the fluid cooler tubes.



Installation

1. Using new clamps, install the fluid cooler hoses on the fluid cooler tubes.
2. **NOTE:** Use a backup wrench to hold the case fitting secure.
Install the fluid cooler tubes at the transmission.
 - Tighten to 40 Nm (30 lb-ft).



REMOVAL AND INSTALLATION (Continued)

3. Install the fluid cooler tube bracket at the engine.
 - Tighten to 48 Nm (35 lb-ft).
4. Fill the transmission with fluid and verify proper operation.

