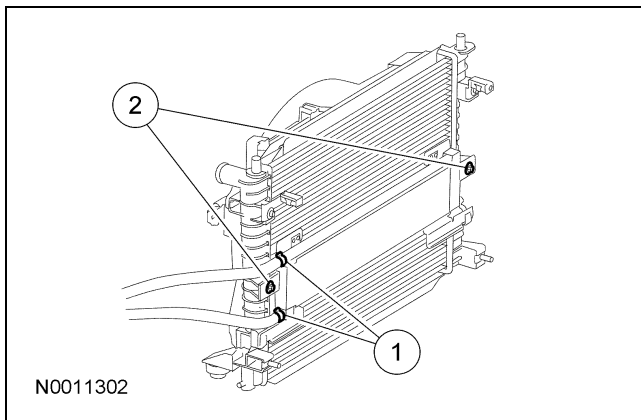


REMOVAL AND INSTALLATION

Transmission Fluid Cooler

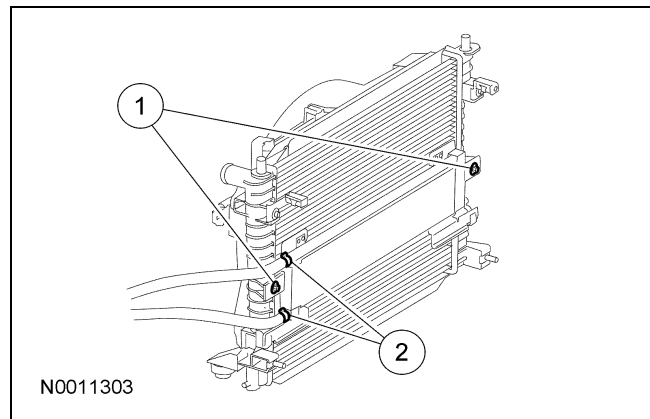
Removal

1. Remove the transmission fluid cooler from the vehicle.
 - 1 Remove the 2 transmission fluid cooler hose clamps and disconnect the hoses.
 - Discard the clamps.
 - 2 Remove the 2 screws and lift the transmission fluid cooler from the lower retaining pockets.



Installation

1. Install the transmission fluid cooler.
 - 1 Position the transmission fluid cooler in the retaining pockets and install the 2 screws.
 - Tighten to 10 Nm (89 lb-in).
 - 2 Connect the transmission fluid cooler hoses to the transmission fluid cooler using new clamps.



2. Fill the transmission with fluid and verify correct operation.